

Bourdon Pressure Gauge

Model : **MTB** SS Case & Brass connection

PRISMA
Instruments



SPECIAL FEATURES

STAINLESS STEEL CASE
RUGGED CONSTRUCTION
DRY OR LIQUID FILLED
STANDARD FOLLOWED IN GENERAL EN 837-1

APPLICATIONS

OIL, WATER, PNEUMATICS, HYDRAULICS, PUMP,
COMPRESSORS, DIESEL ENGINES AND GASEOUS/
LIQUID MEDIA THAT WILL NOT OBSTRUCT THE
PRESSURE SYSTEM.

STANDARD VERSION

NOMINAL SIZE : 40, 50, 63, 80 & 100 mm

Accuracy class	1,6 (For NS 63, 80 & 100 mm) & 2,5 (For NS 40 & 50 mm)
Ambient temperature	- 20°C to + 65°C
Process temperature	Max 120°C
Operating pressure range	75 % of scale value
Over pressure limit	≤ 100 bar : 125% of Max. scale value > 100 to ≤ 600 bar : 115% of Max. scale value > 600 to ≤ 1600 bar : 110% of Max. scale value
Case & Bezel	AISI 304 SS (Rolling type) & Bayonet type for NS 80 mm
Bourdon	Copper alloy up to 280 kg/cm ² AISI 316L SS for above 280 kg/cm ²
Socket	Copper alloy
Movement	Copper alloy
Joints	Alloy brazing / soldering
Protection	IP 65
Dial	Aluminium, black graduation on white background
Pointer	Black coloured, fixed
Window	Plexi glass
Filling plug	Neoprene
Gasket	Neoprene / silicon rubber

DRY BUT FILLABLE VERSION (OPTION FG)

Fillable dampening liquid	Glycerine 98%
Process temperature	Maximum 65°C
Other features	Refer specification of standard version

GLYCERINE FILLED VERSION (OPTION PY)

Accuracy	1.6 (For NS 63, 80 & 100 mm) & 2.5 (For NS 40 & 50 mm)
Ambient temperature	Maximum 65°C
Process temperature	Maximum 65°C
Window	Plexi glass
Dampening liquids	Glycerine 98%
Other features	Refer specification of standard version

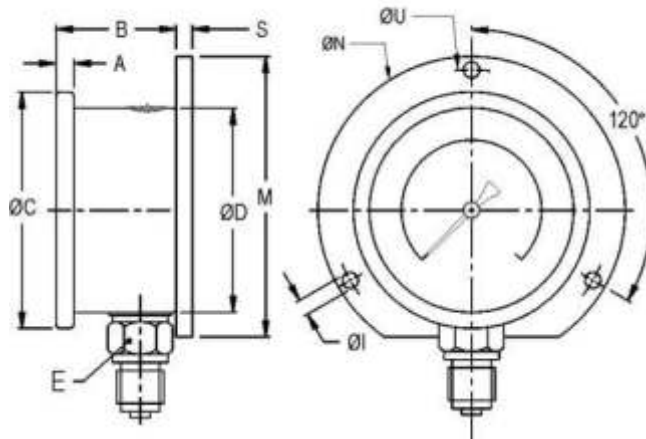
Bourdon Pressure Gauge

Model : **MTB** SS Case & Brass connection

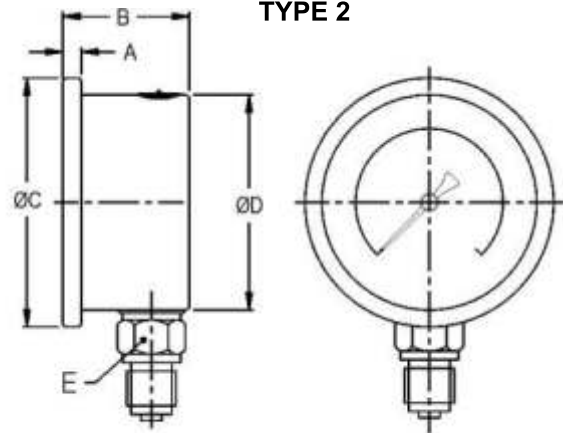
PRISMA
Instruments

DIMENSIONS - STANDARD VERSION

TYPE 1



TYPE 2



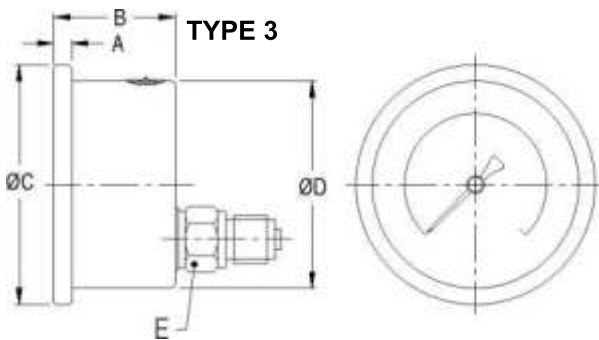
ROLLING TYPE (STANDARD)

NS	A	B	ØC	ØD	E	S	ØN	ØI	ØU	M	Weight in gram (With Box)
63	6.5	30	68	62.5	A/F 14	5	88	5	76	80	195.0
100	7	35.5	110	100	A/F 17	6	134	6	118	128	465.0

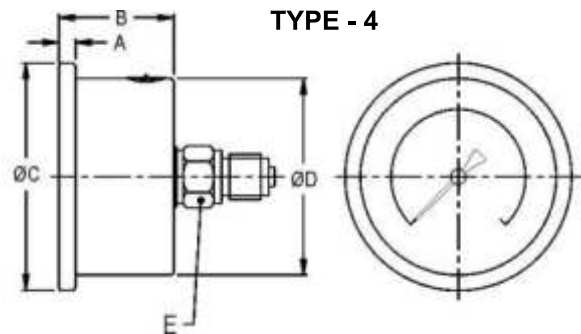
ROLLING TYPE (STANDARD)

NS	A	B	ØC	ØD	E	Weight in gram (With Box)
40	5	25	43	41	A/F 14	88.0
50	5	29	57	51.5	A/F 14	125.0
63	6.5	30	68	62.5	A/F 14	155.0
100	12.5	39	110	100	A/F 17	390.0

TYPE 3



TYPE - 4



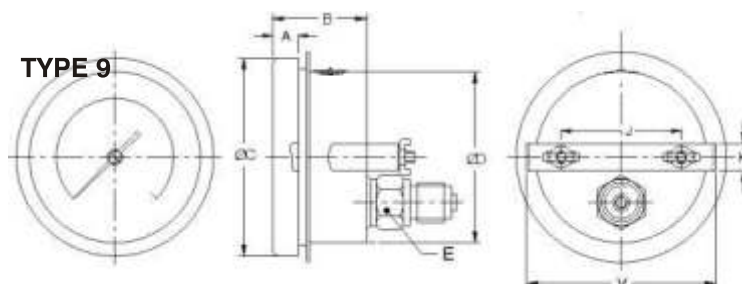
ROLLING TYPE (STANDARD)

NS	A	B	ØC	ØD	E	Weight in gram (With Box)
100	12.5	39	110	100	A/F 17	410.0

ROLLING TYPE (STANDARD)

NS	A	B	ØC	ØD	E	Weight in gram (With Box)
40	5	25	43	41	A/F 14	75.0
50	4.5	29	57.5	51.5	A/F 14	118.0
63	6.5	30	68	62.5	A/F 14	155.0

TYPE 9



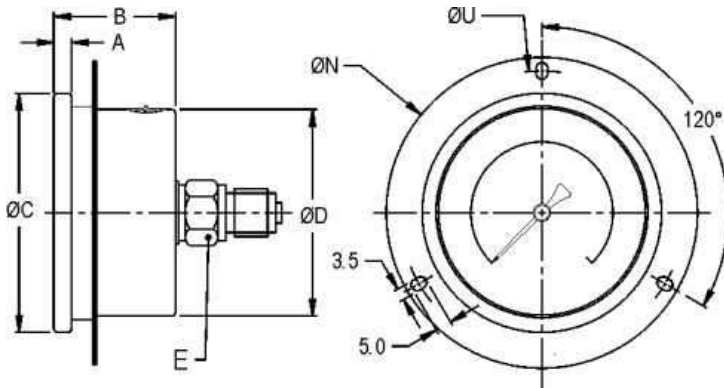
BAYONET TYPE (STANDARD)

NS	A	B	ØD	ØC	E	J	K	V	Weight in gram (With Box)
100	12.5	39	100	110	A/F 17	66.5	16	106	550.0

Bourdon Pressure Gauge

Model : **MTB** SS Case & Brass connection

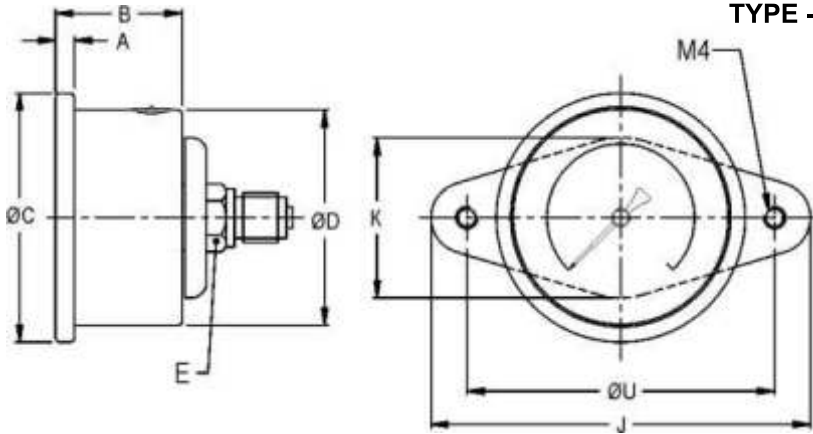
TYPE - 12



ROLLING TYPE (STANDARD)

NS	A	B	ØC	ØD	E	ØN	ØU	Weight in gram (With Box)
63	6.5	30	68	62.5	A/F 14	85.5	76	216.0

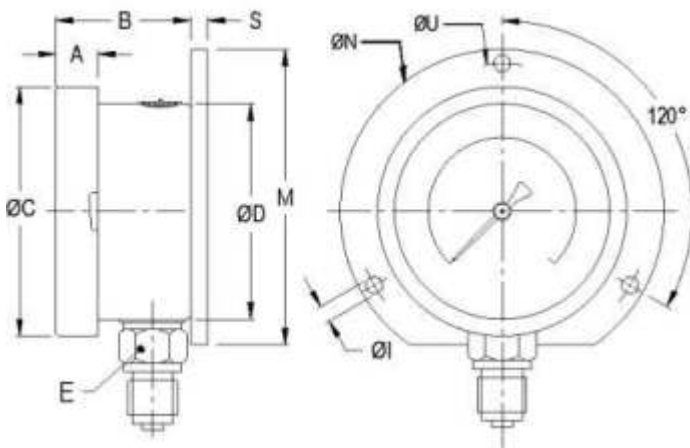
TYPE - 13



ROLLING TYPE (STANDARD)

NS	A	B	ØC	ØD	E	J	K	ØU	Weight in gram (With Box)
50	5	29	57	51.5	A/F 14	91	38	70.5	160.0
63	6.5	30	68	62.5	A/F 14	91	38	70.5	195.0

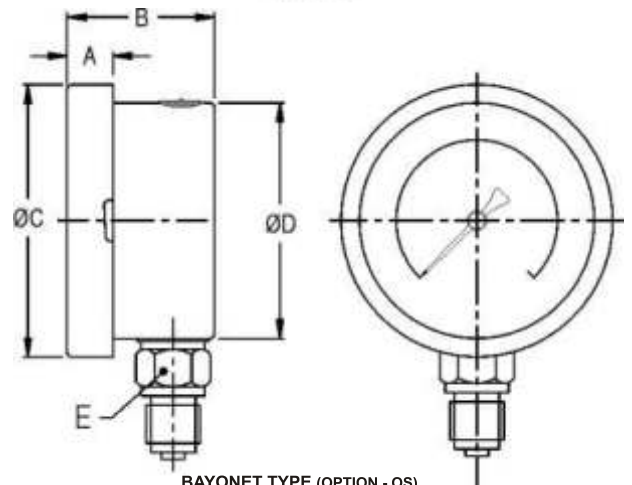
TYPE 1



BAYONET TYPE (OPTION - OS)

NS	A	B	ØC	ØD	E	S	ØN	ØI	ØU	M	Weight in gram (With Box)
63	10	31	69.5	62.5	A/F 14	5	88	5	76	80	207.0
80	11	35	89.5	80	A/F 14	4	110	5	94	95	300.0
100	12.5	39	110	100	A/F 17	6	134	6	118	128	510.0

TYPE 2



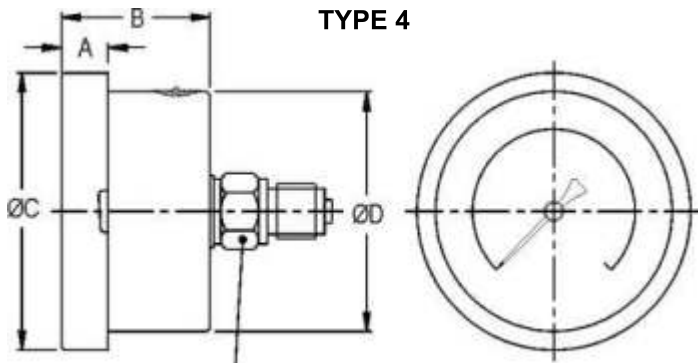
BAYONET TYPE (OPTION - OS)

NS	A	B	ØC	ØD	E	Weight in gram (With Box)
50	10	31	59	51	A/F 14	136.0
63	9	31	69.5	62.5	A/F 14	165.0
80	11	35	89.5	80	A/F 14	250.0
100	12.5	39	110	100	A/F 17	390.0

Bourdon Pressure Gauge

Model : **MTB** SS Case & Brass connection

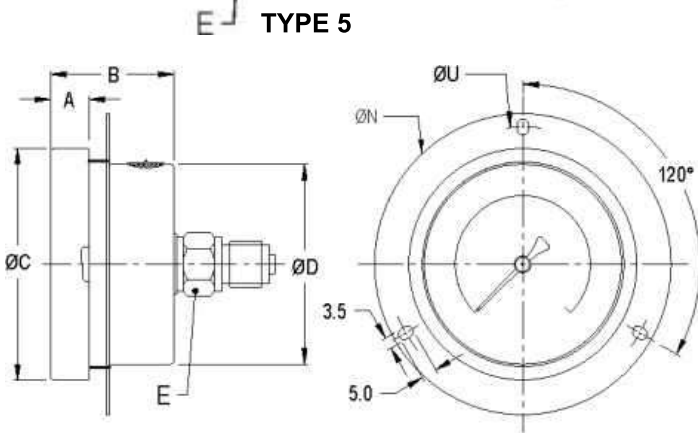
PRISMA
Instruments



TYPE 4

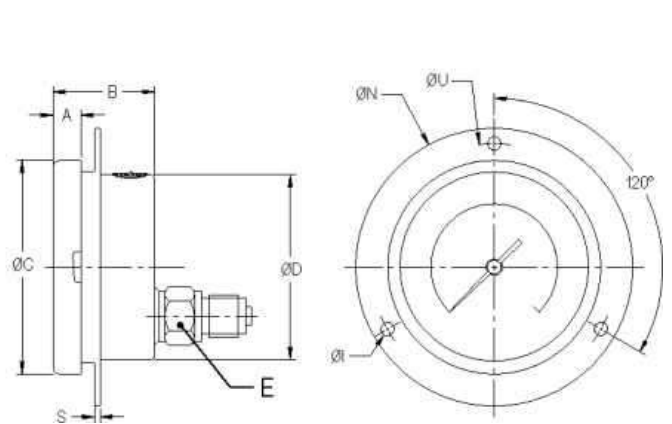
BAYONET TYPE (OPTION - OS)

NS	A	B	ØC	ØD	E	Weight in gram (With Box)
50	10	31	59	51	A/F 14	162.0
63	10	31	69.5	62.5	A/F 14	172.0
80	11	35	89.5	80	A/F 14	240.0



TYPE 5

TYPE 5

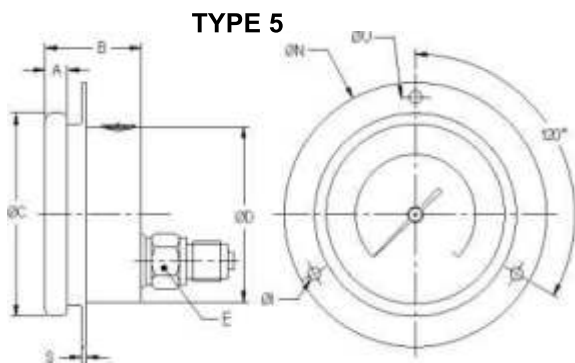


BAYONET TYPE (OPTION - OS)

NS	A	B	ØC	ØD	E	ØN	ØU	Weight in gram (With Box)
63	9	31	69.5	62.5	A/F 14	85.5	76	211.0

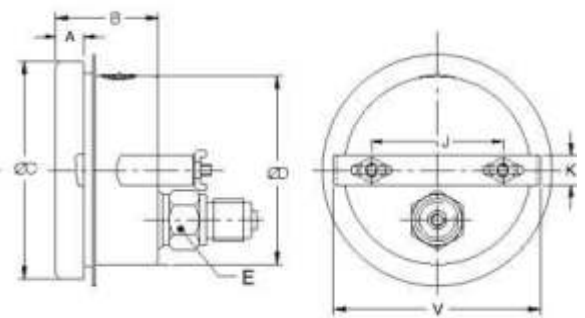
BAYONET TYPE (OPTION - OS)

NS	A	B	ØD	ØC	E	S	ØI	ØN	ØU	Weight in gram (With Box)
100	12.5	339	100	110	A/F 17	1	6	134	118	480.0



TYPE 5

TYPE 9



ROLLING TYPE (STANDARD)

NS	A	B	ØD	ØC	E	S	ØI	ØN	ØU	Weight in gram (With Box)
100	12.5	35.5	100	110	A/F 17	1	6	134	118	460.0

BAYONET TYPE (STANDARD)

NS	A	B	ØD	ØC	E	J	K	V	Weight in gram (With Box)
100	12.5	39	100	110	A/F 17	66.5	16	106	550.0

Notes : • Drawings are not to scale. • All Dimensions are in mm. • NS = Nominal Size

Bourdon Pressure Gauge

Model : **MTB** SS Case & Brass connection

HOW TO ORDER

BASIC MODEL

CODE

NOMINAL SIZE

B	C	D	E	F
40 mm	50 mm	63 mm	80 mm	100 mm

Example

MTB

X

TYPE OF MOUNTING

- 1 WALL/ SURFACE/ PROJECTION MOUNTING WITH BOTTOM ENTRY
- 2 DIRECT BOTTOM ENTRY
- 3 DIRECT LOWER BACK ENTRY
- 4 DIRECT CENTER BACK ENTRY
- 5 LOWER BACK ENTRY WITH FRONT FLANGE
- 9 LOWER BACK ENTRY WITH MOUNTING BRACKET*
- 12 CENTER BACK ENTRY WITH FRONT FLANGE
- 13 CENTER BACK ENTRY WITH MOUNTING BRACKET

Note : *Applicable for Rolling type design only.

X

GAUGE CONNECTION

- 1BM 1/8" BSP(M)
- 1NM 1/8" NPT(M)
- 1TM 1/8" BSPT(M)
- 2BM 1/4" BSP(M)
- 2NM 1/4" NPT(M)
- 2TM 1/4" BSPT(M)
- 3BM 3/8" BSP(M)
- 3NM 3/8" NPT(M)
- 3TM 3/8" BSPT(M)
- 4BM 1/2" BSP(M)
- 4NM 1/2" NPT(M)
- 4TM 1/2" BSPT(M)

Note : Connections like Metric/ PT/ PF/ Flaired/ UNF/ G/ R etc. can be provided on request.

* Consult factory for minimum order quantity, price & delivery.

XXX

RANGE

REFER RANGE TABLE

OPTIONAL EXTRAS

RH	CUSTOM DESIGNED DIAL	SX	SS TAG PLATE
SG	OXYGEN SERVICE (WITHOUT DAMPENING LIQUIDS)	TB	HELIUM LEAK TEST
PW	FIVE POINT CALIBRATION CERTIFICATE	FG	FILLABLE LIQUID GLYCERINE
PY	DAMPENING LIQUID GLYCERINE FILLED	FK	INTEGRAL DAMPENING SCREW (BRASS)
RI	25 MM BOD (EXCEPT MOUNTING 4, 12 & 13)*	ZC	FREON RANGE (WITH TEMPERATURE SCALE)*
OS	CASE WITH BAYONET TYPE BEZEL***	RX	SHATTERPROOF GLASS/ SAFETY GLASS (FOR BAYONET TYPE DESIGN)*
RR	ENCLOSURE PROTECTION IP 66	RZ	TOUGHENED GLASS (FOR BAYONET TYPE DESIGN)*
RE	ENCLOSURE PROTECTION IP 67	SF	MOVEMENT WITH DAMPENING JELLY*

* Applicable for NS 63 mm, 80 mm & 100 mm.

*** Applicable for NS 50 mm, 63 mm & 100 mm.

0-10
bar

XX

FOR OTHER OPTIONAL ITEMS, PLEASE CONTACT FACTORY FOR DELIVERY AND MINIMUM QUANTITY OF ORDER.